

## Detection System Site Survey

Completion of this site survey is the responsibility of the library/contractor and may involve chargeable consultation with bibliothecca. Accurate completion is critical to avoiding costly construction errors. Completion requires that you read fully and carefully the appropriate detection system pre-installation guide for guidance on site requirements and system features. When the survey is complete, please return it to your bibliothecca contact.

### Customer Information

<b>Customer Name</b>	Edinburgh University
<b>Site Name</b>	Medical Education Centre, Western General Hospital
<b>Main Site Contact</b> (e.g. library manager)	<b>Name:</b> Barry Croucher
	<b>Role:</b> Head of Help Services IS User Services
	<b>Tel.:</b> 0131 651 3812 Mob. 07954 178313
	<b>Email:</b> Barry.croucher@ed.ac.uk
<b>Site Address (include post/zip code)</b>	Medical Education Centre, Floor 3, Outpatients Building, Western General Hospital, Crewe Road South, Edinburgh EH4 2XU.
<b>Survey date</b>	9/7/2019

### Building Information

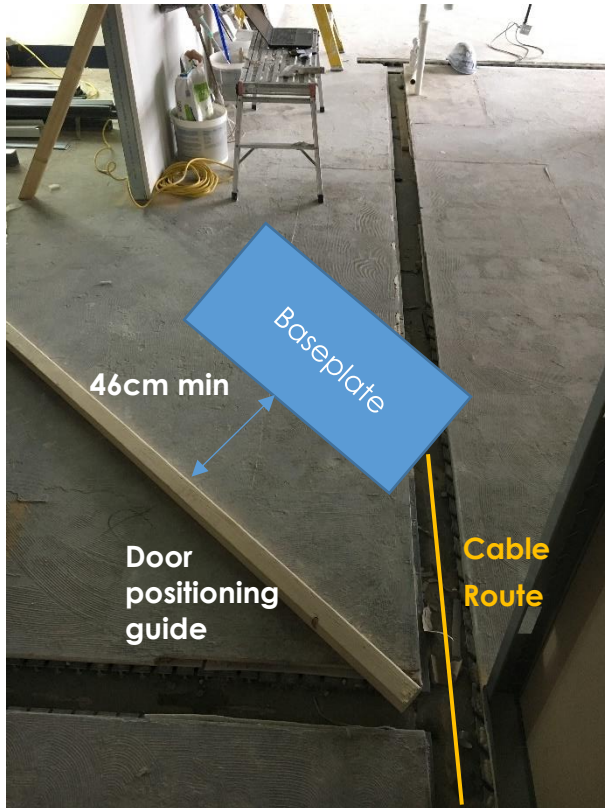
<b>Will the flooring beneath the system meet pre-installation guide requirements?</b>	No Not suitable for direct mount or buried cable
<b>Will the floor beneath the system contain heating elements?</b>	No
<b>What type of floor will the system rest on (concrete, raised floor, etc.)?</b>	Steel floor covered with 20mm chip board. Not suitable for direct mount.
<b>Will electrical and network requirements be met?</b>	Yes Network point and power to be installed at the proposed location.
<b>Is asbestos present in the installation area?</b>	Yes Asbestos below the steel floor. Must not drill through the steel floor.
<b>Are there other installation hazards?</b>	None <input checked="" type="checkbox"/> Electrical <input type="checkbox"/> Chemical <input type="checkbox"/> Confined space <input type="checkbox"/> If there are hazards, explain.



Metal flooring system, not Suitable for under floor cabling or mounting the pedestals.



Pre-installed channel can be used to get the cabling from the control box to the first pedestal.

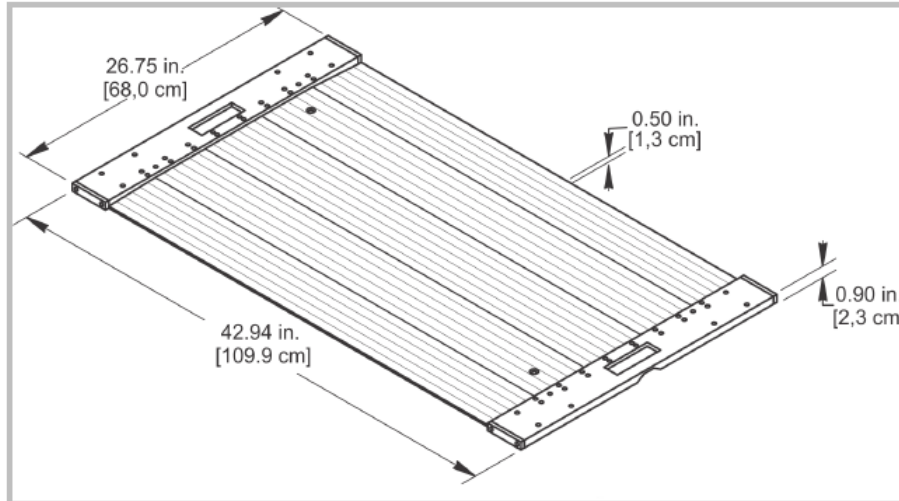


Baseplate preferred method for mounting the pedestal gates.  
**Not to scale**



Proposed location of the electronics chassis. Needs to be at a serviceable height accessible from the floor.

Height	Width	Depth
Base - 13 mm (0.5")* Plates - 23 mm (0.9")	1099 mm (42.94")	680 mm (26.75")



Height	Width	Depth
1832 mm (72.125")	610 mm (24")	70 mm (2.75")

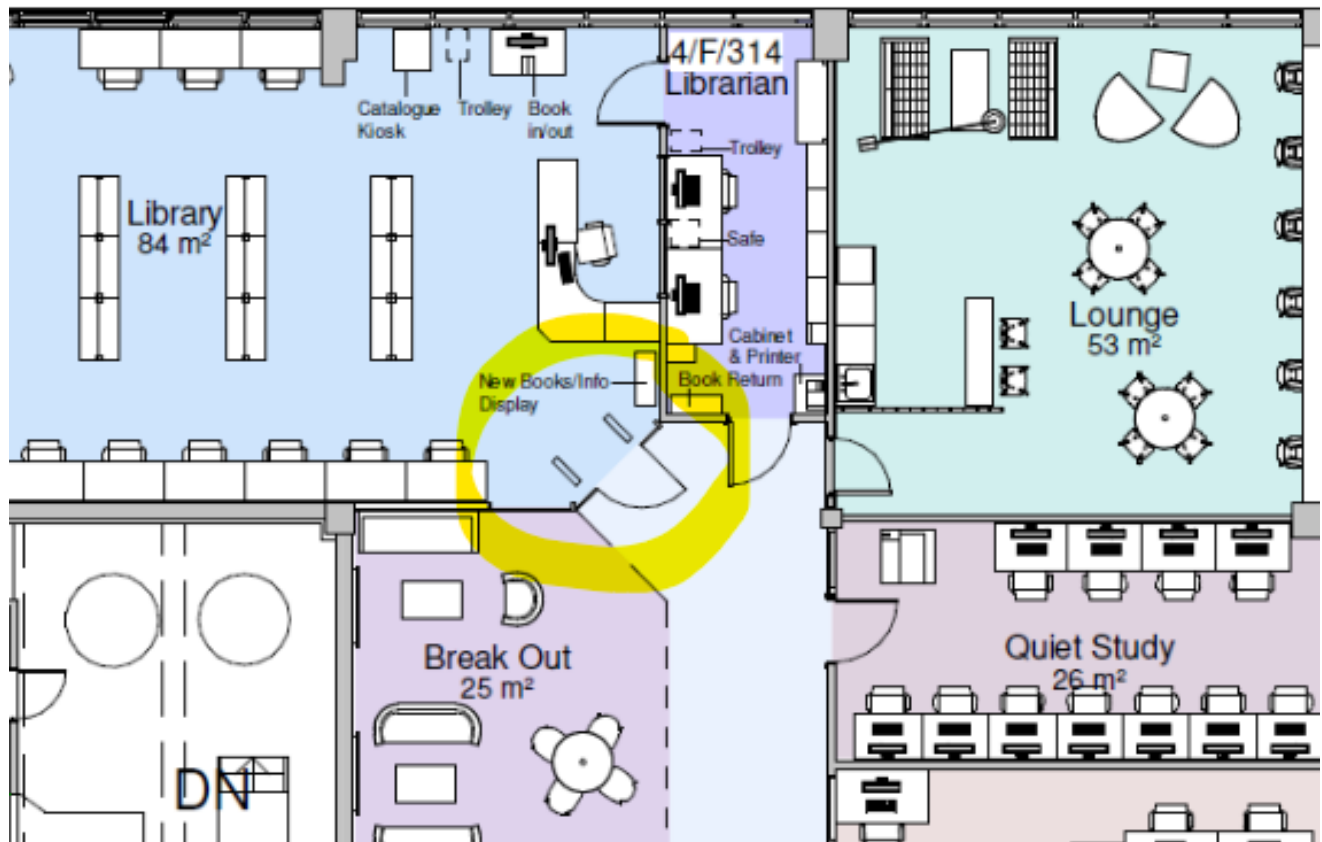


## Floor Plan

Insert a floor plan drawing in the space below. Include system positioning information, the location of network and power drops, and the location of possible sources of interference and false alarms.

Alternately, you can submit a detailed floor plan from a separate file, one that is not inserted below. Simply include it with your submission of this site survey.

- Refer to separate drawing



## System Information

Use the information in this section to specify the detection system or systems you intend to install and the attributes of each system.

### System 1

<b>Model</b>	Tattle-Tape gate clear
<b>Cable Routing</b>	Baseplate
<b>Aisles</b>	Single Aisle
<b>Aisle Width</b>	91.4cm

### System 2

<b>Model</b>	Select a model.
<b>Cable Routing</b>	Select cable routing option
<b>Aisles</b>	Specify number of aisles
<b>Aisle Width</b>	Specify desired aisle width

### System 3

<b>Model</b>	Select a model.
<b>Cable Routing</b>	Select cable routing option
<b>Aisles</b>	Specify number of aisles
<b>Aisle Width</b>	Specify desired aisle width

### System 4

<b>Model</b>	Select a model.
<b>Cable Routing</b>	Select cable routing option
<b>Aisles</b>	Specify number of aisles
<b>Aisle Width</b>	Specify desired aisle width

## Installation Details

<b>Does the library need to be closed during system installation?</b>  - <b>If yes, list the best DAYS and TIMES for the installation. (Please list several options.)</b>  - <b>If no, are there alternate doors for patron use during the installation to avoid safety hazards?</b>	No  The library is currently not open as its being fully refurbished. The project is expected to be completed in the next 6 weeks.  No
<b>Is there a loading bay to drop off equipment?</b>	Yes
<b>Is onsite parking available?</b>	Yes
<b>Is there nearby public parking available?</b>	Yes
<b>Which door will the installer use to enter the library?</b>	Main Door Main Entrance to the Outpatients Building
<b>Is a permit or security badge required for entry?</b>	No
<b>Will the installer remove existing detection system?</b>	No
<b>Is the installer responsible for removing installation packaging?</b>	Yes

## Other Survey Contributors

Name	Role	E-Mail	Phone
Drew Campbell	Site Manager	drewcampbell@tjl.com	07734 326 546
Enter name	Enter role	Enter email	Enter phone
Enter name	Enter role	Enter email	Enter phone

## Additional Notes

### Notes

bibliotheca Tattle-Tape™ gate clear pre-installation guide for further information on positioning and dimensions.

Positioning and mounting method approved with the construction site manager, and cabling route agreed with the electricians, all subject to Edinburgh University approval.

\*\*\*Asbestos roof felt/materials below the metal floor. The building was originally lower and extra floors added above the original roof which contained asbestos.